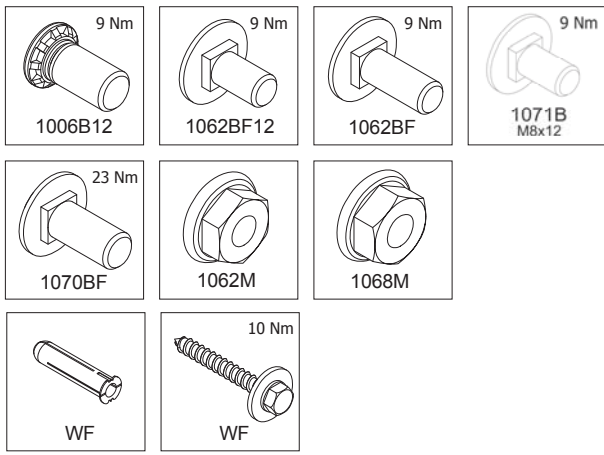


KARSTEN

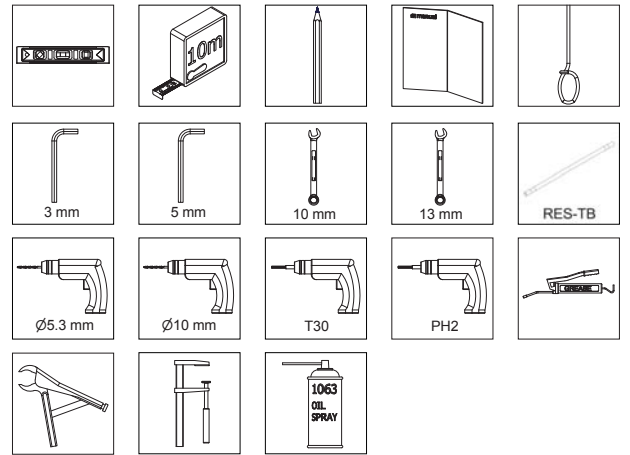
()

RD-80/120

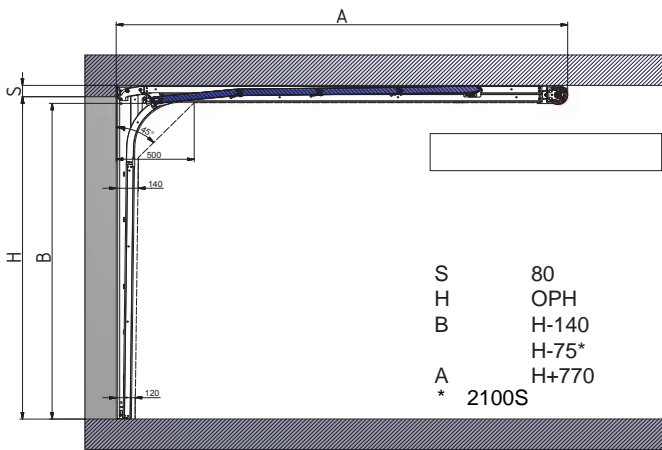




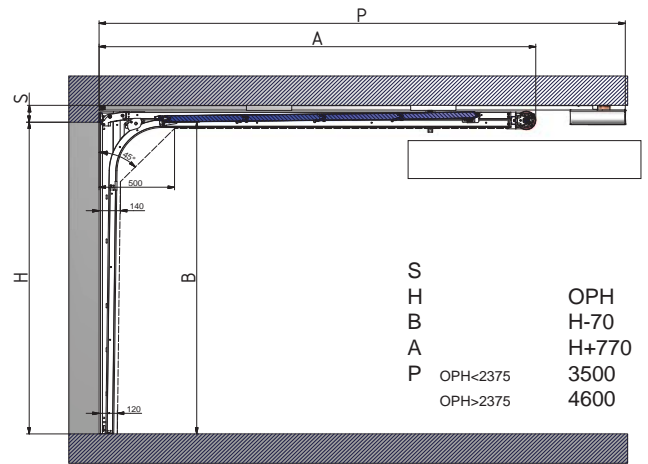
1



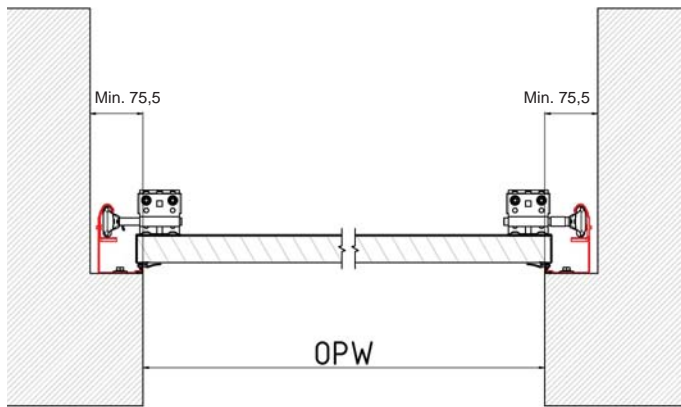
2



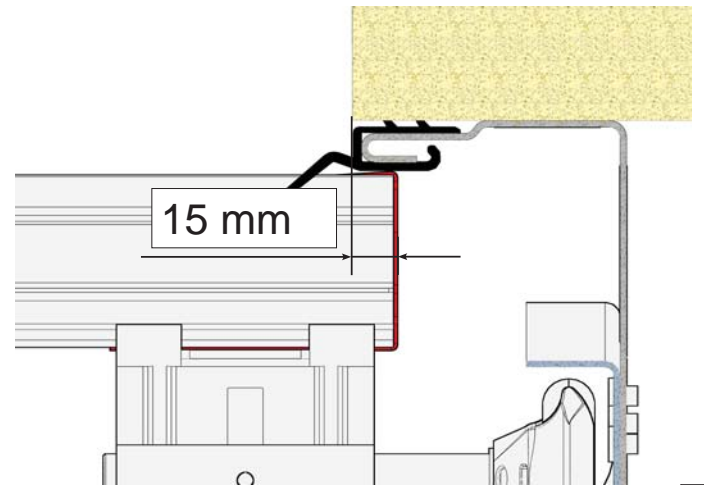
3



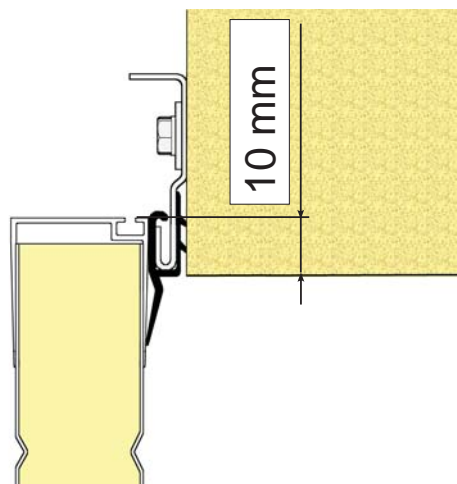
4



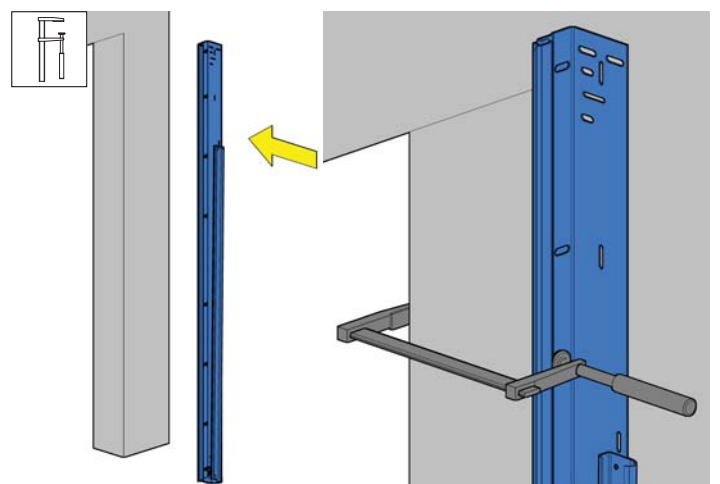
5



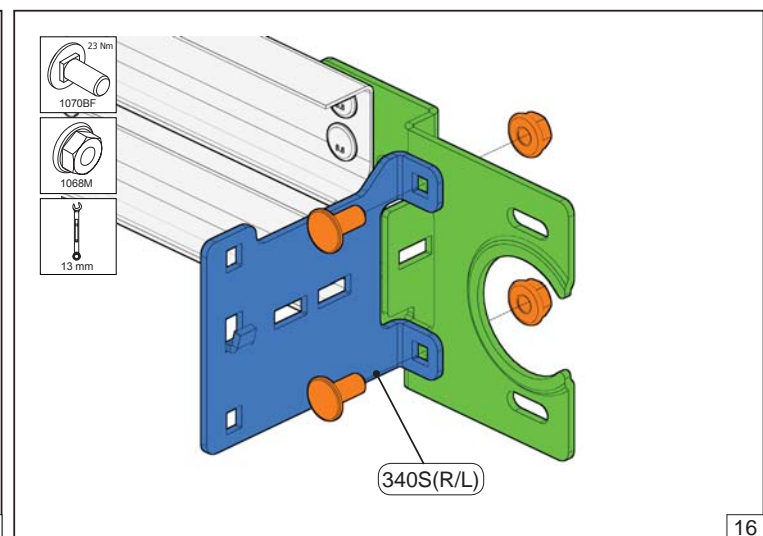
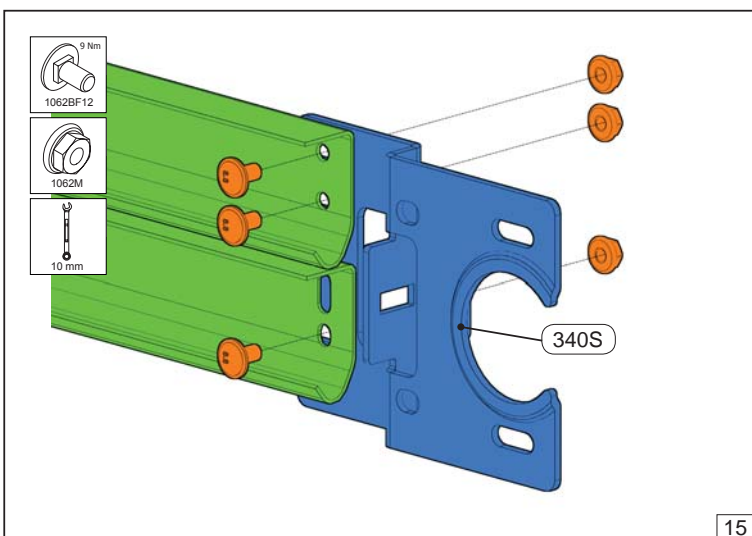
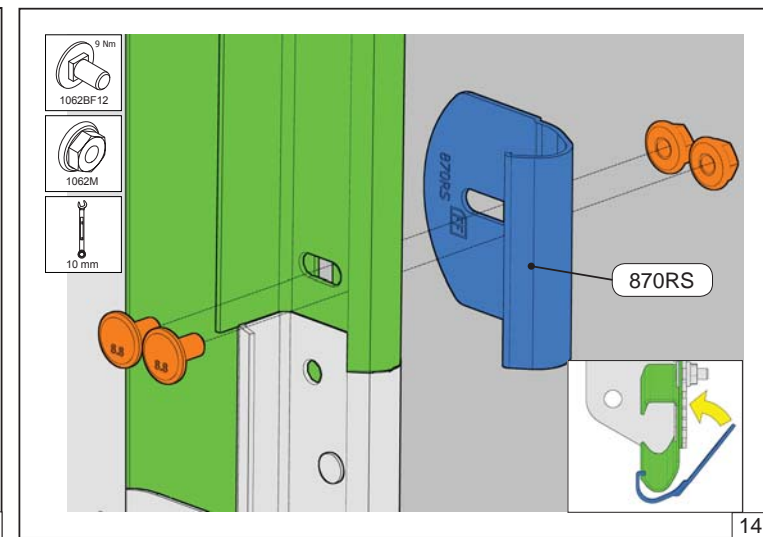
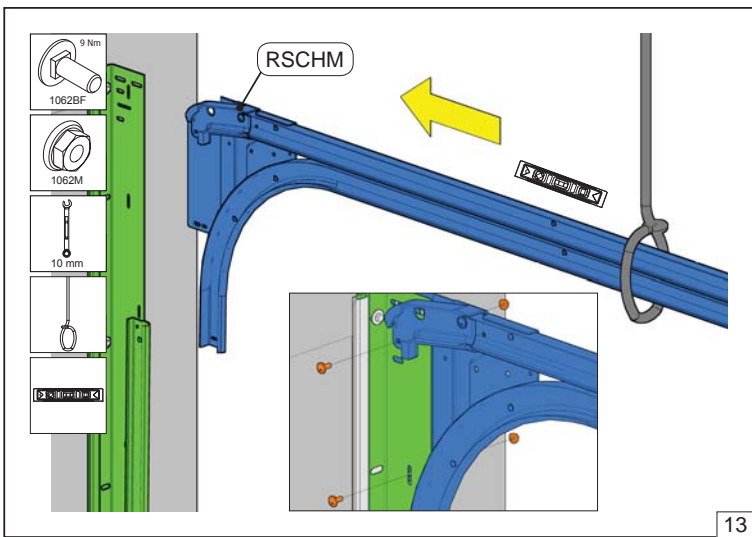
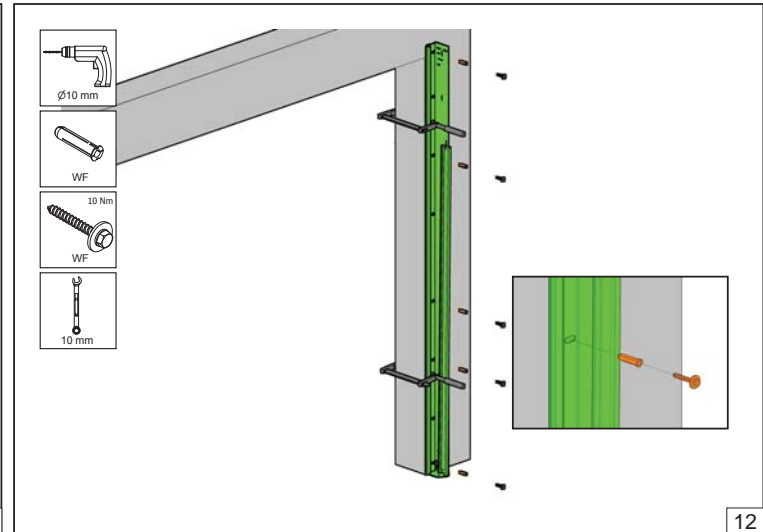
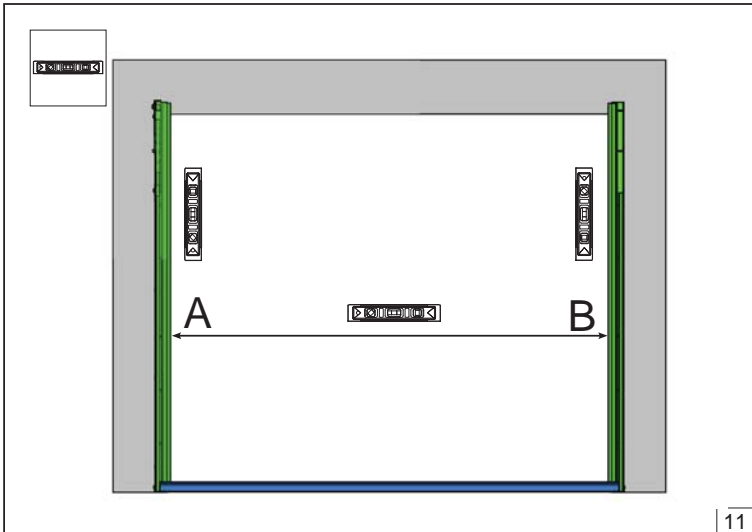
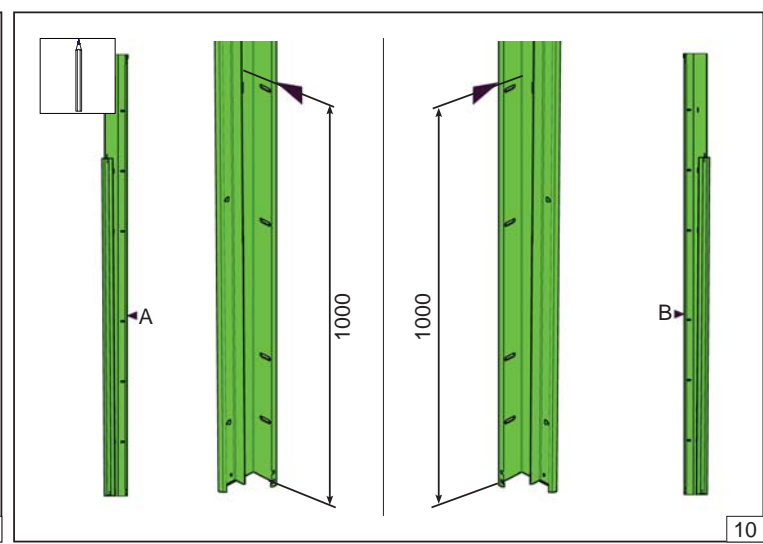
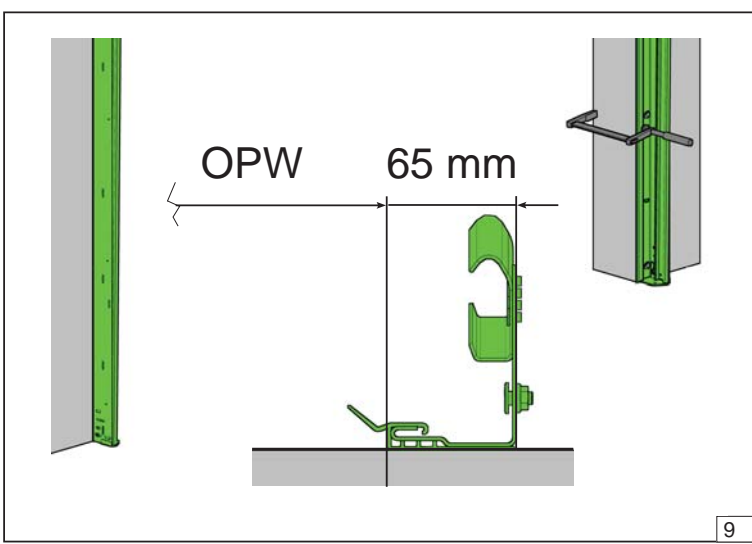
6

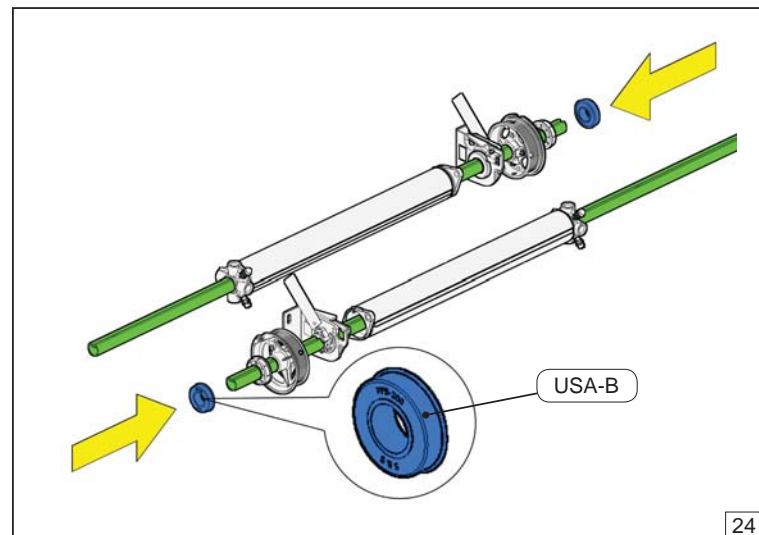
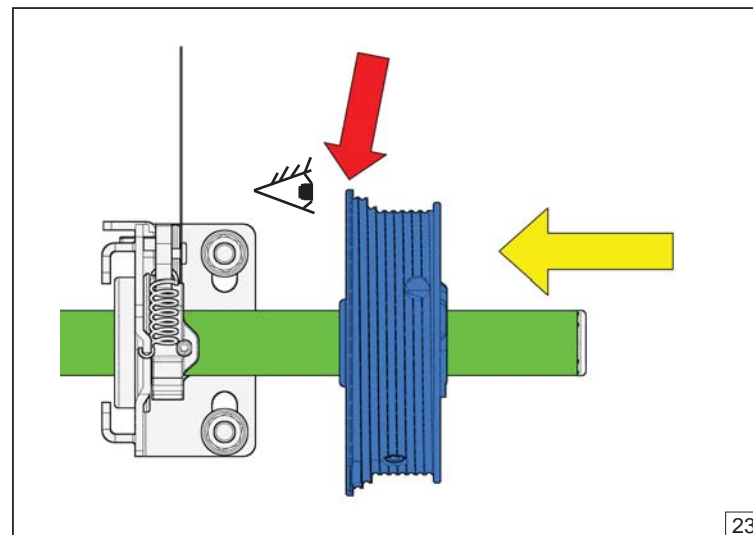
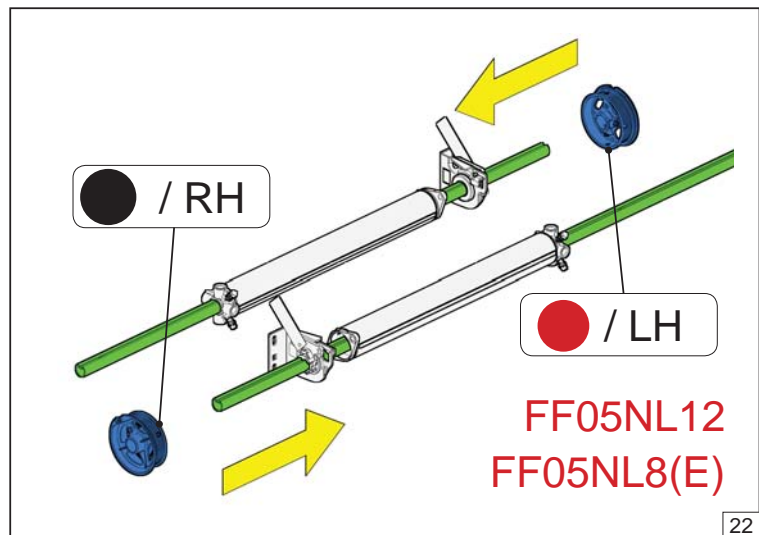
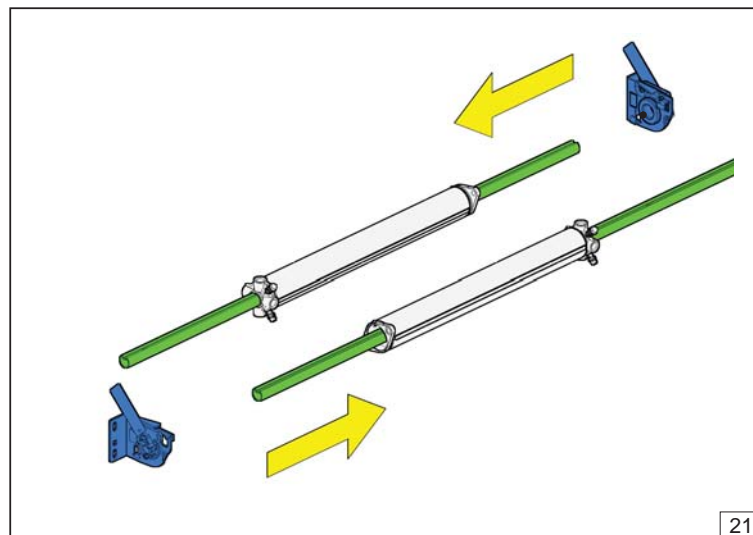
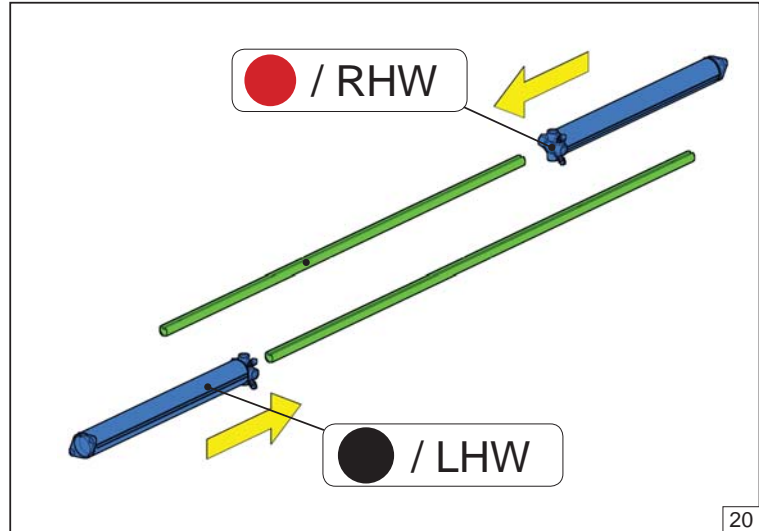
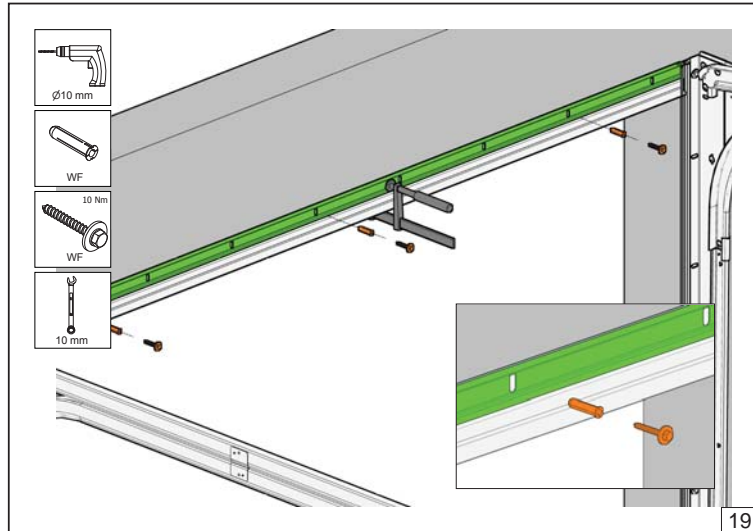
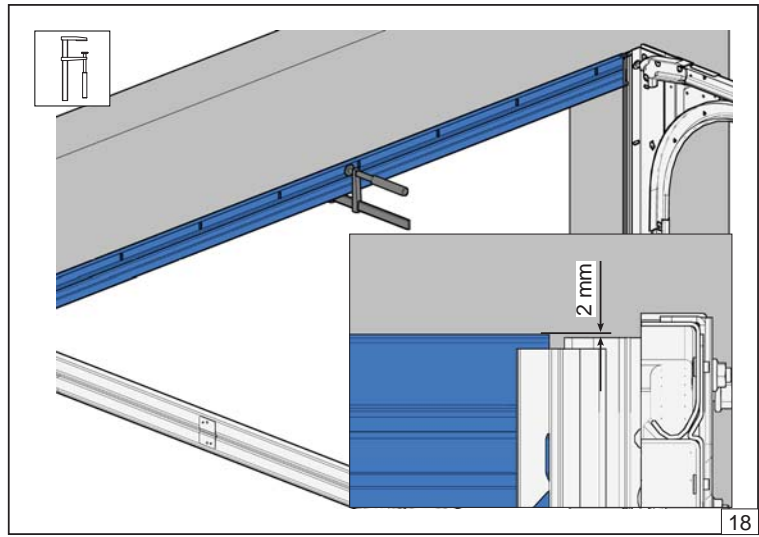
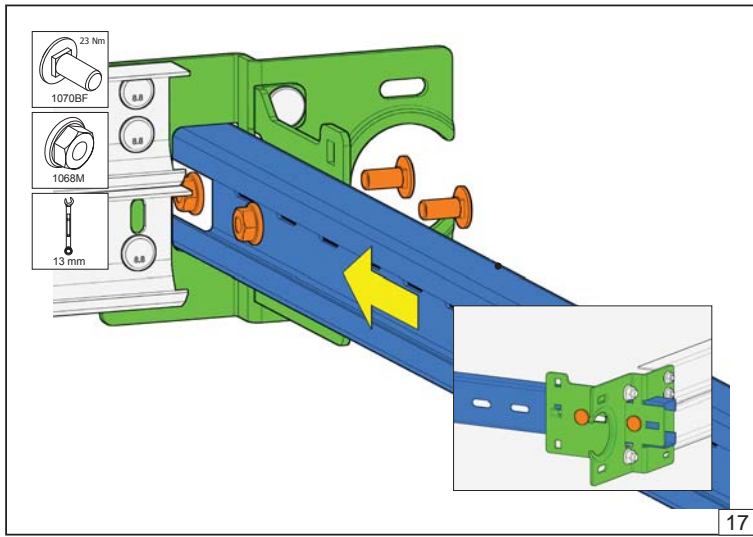


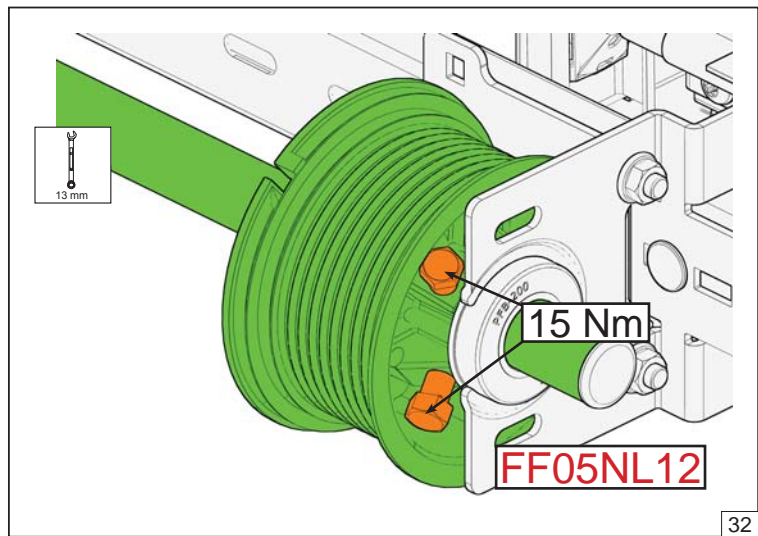
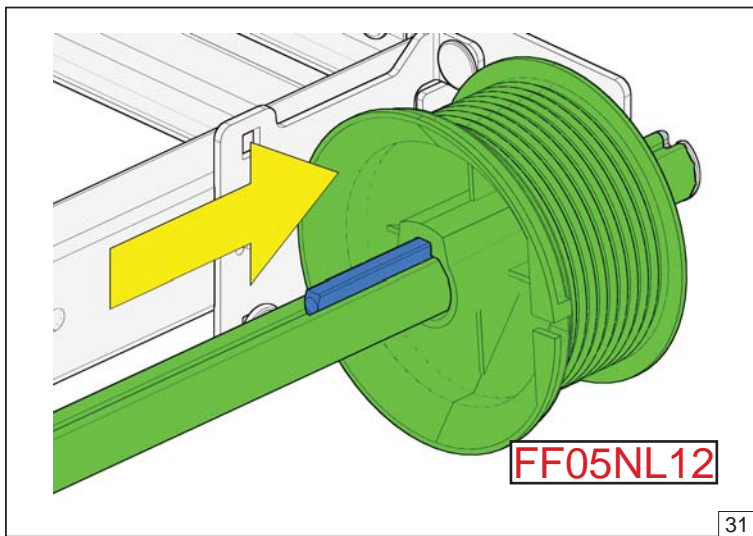
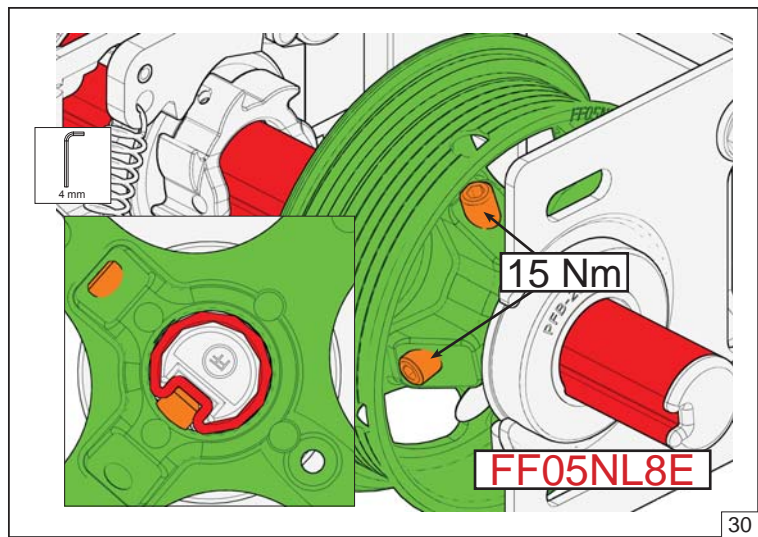
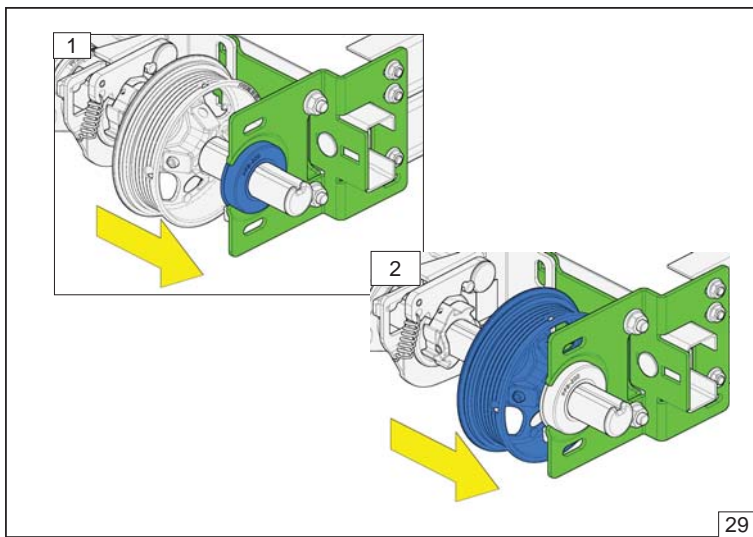
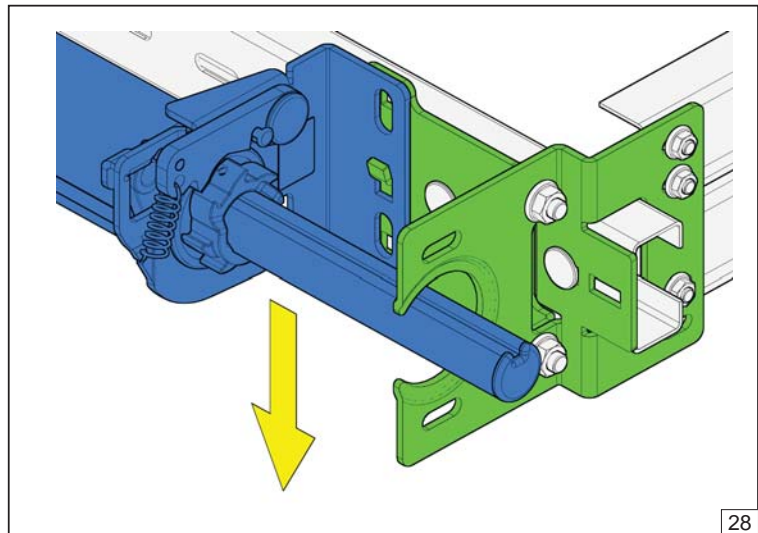
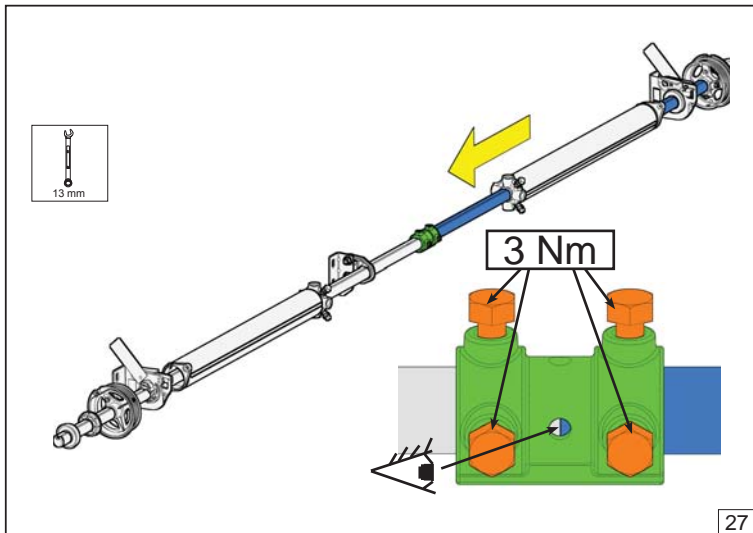
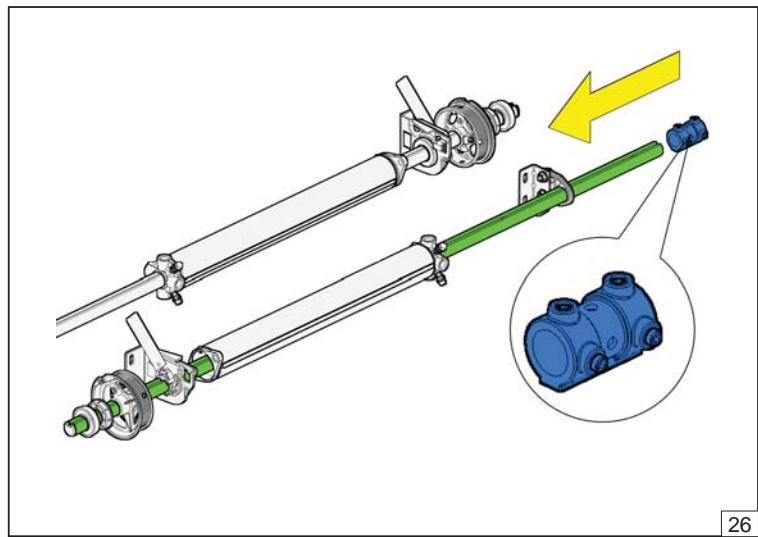
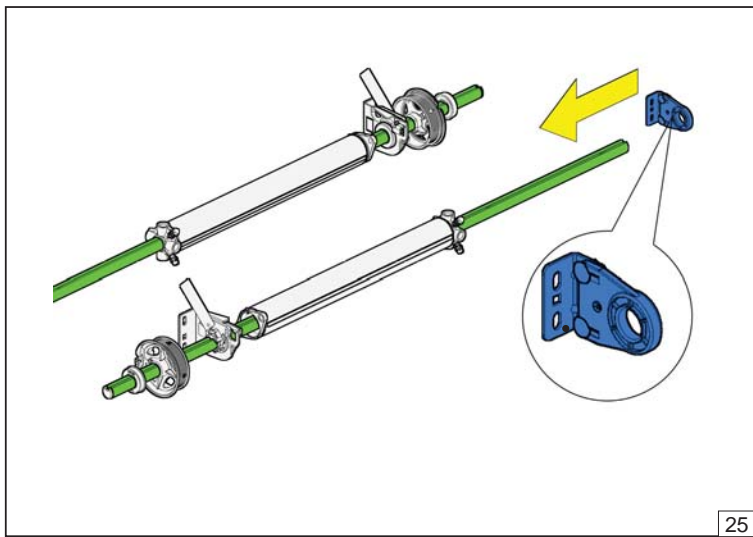
7

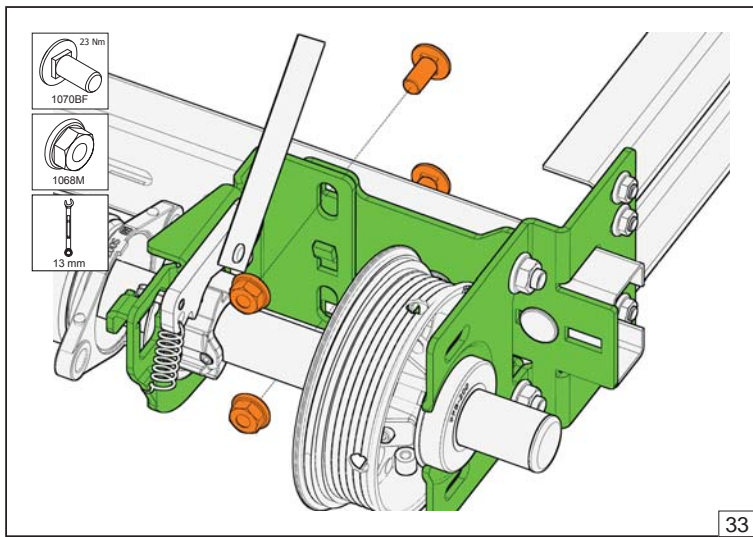


8

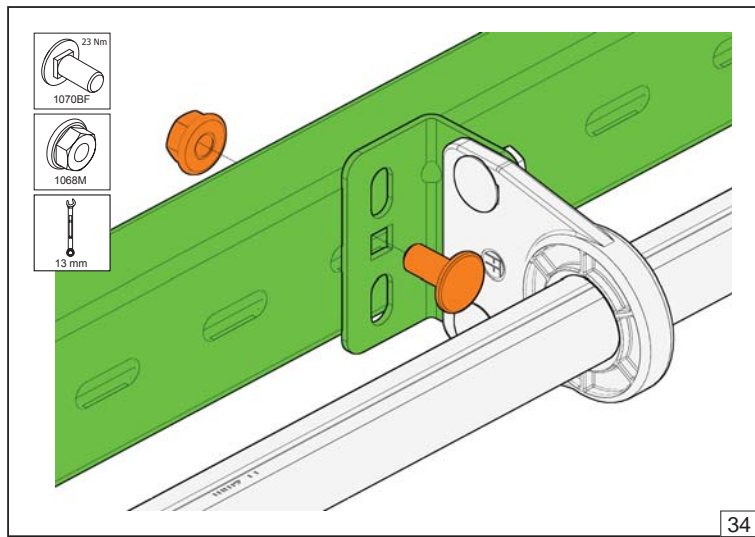




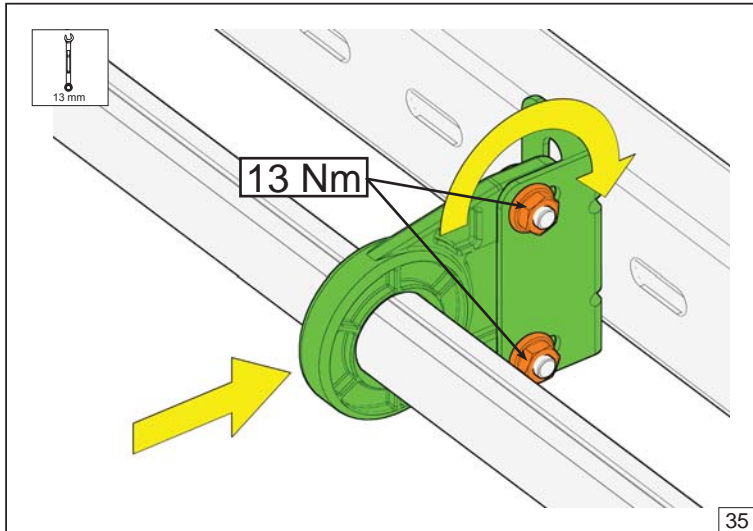




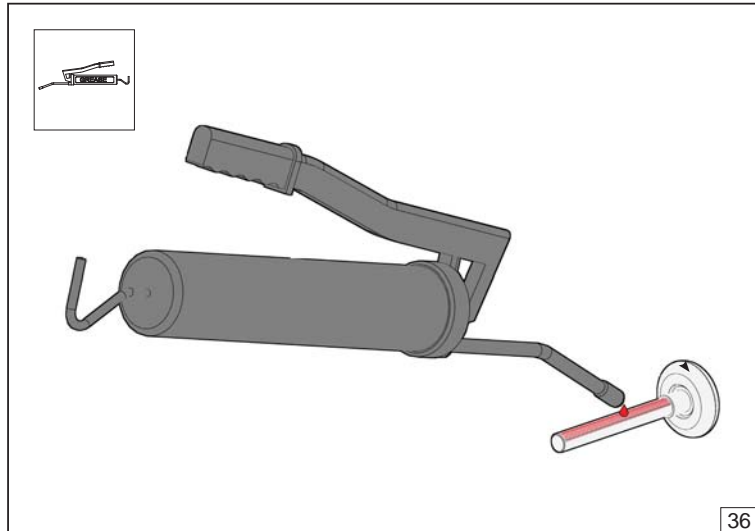
33



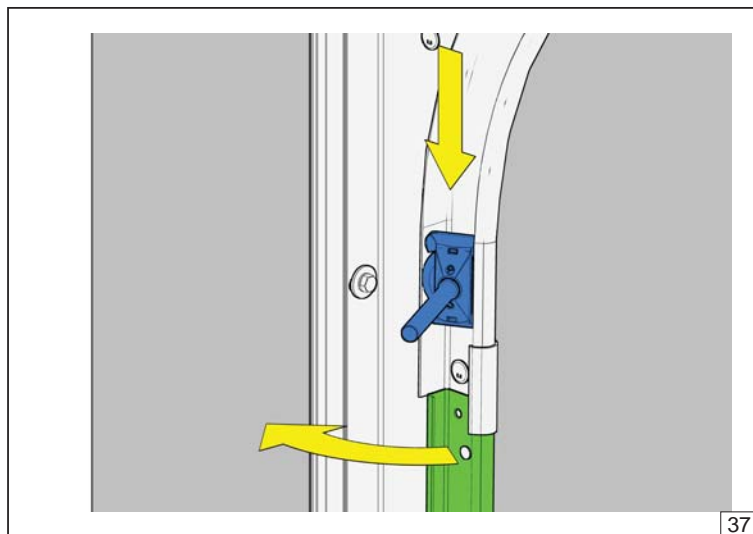
34



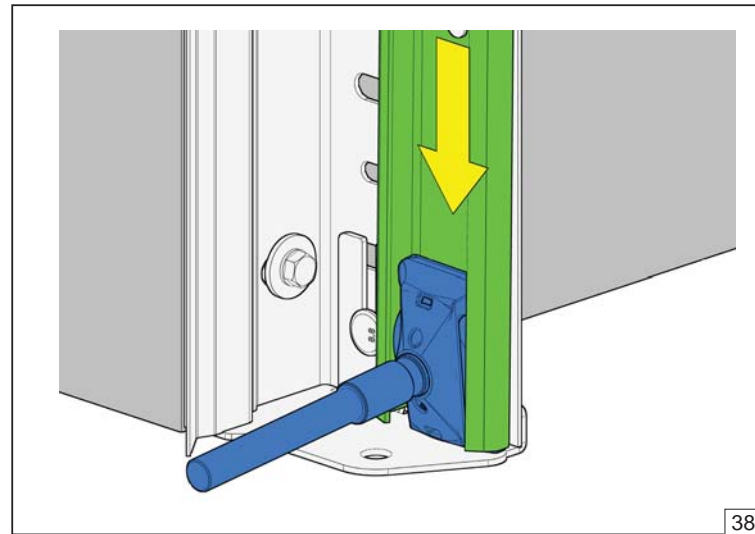
35



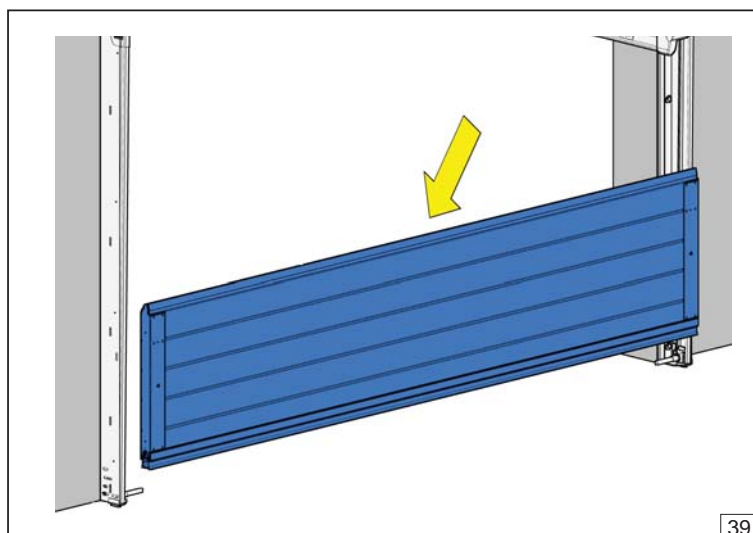
36



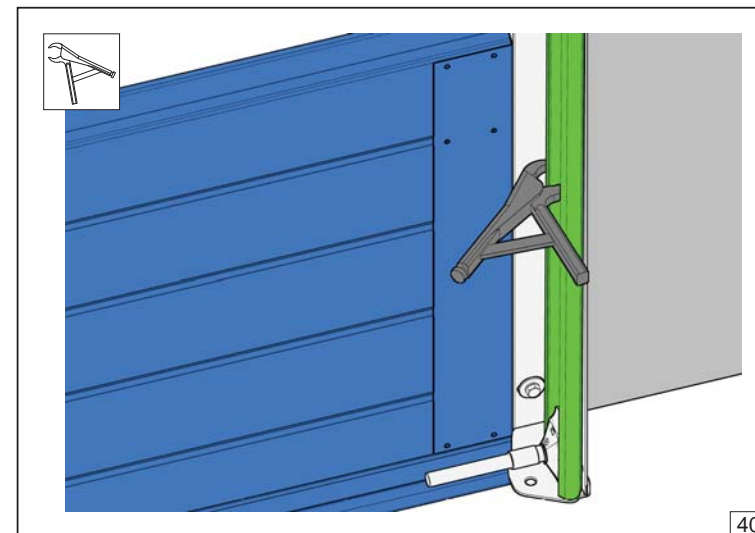
37



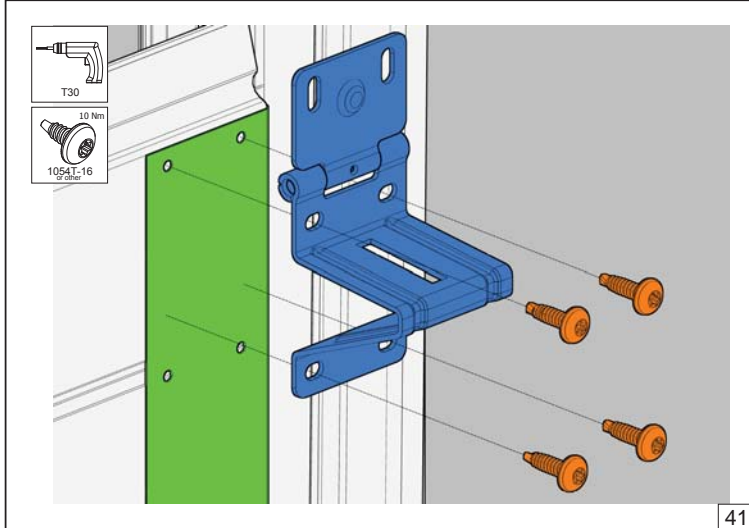
38



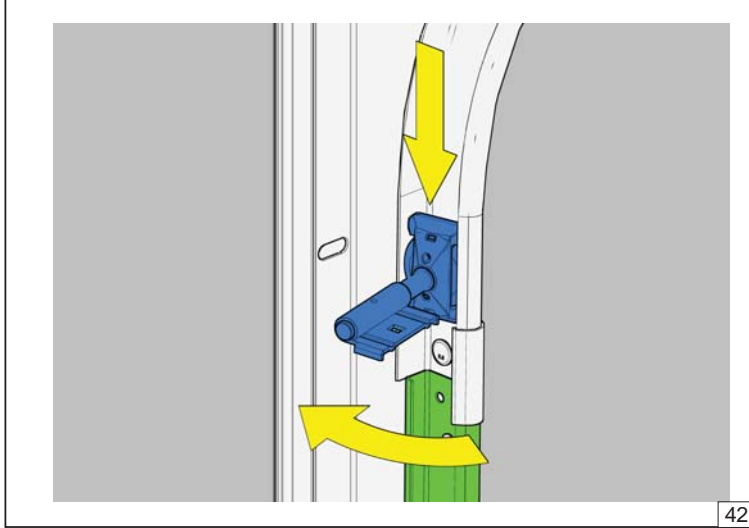
39



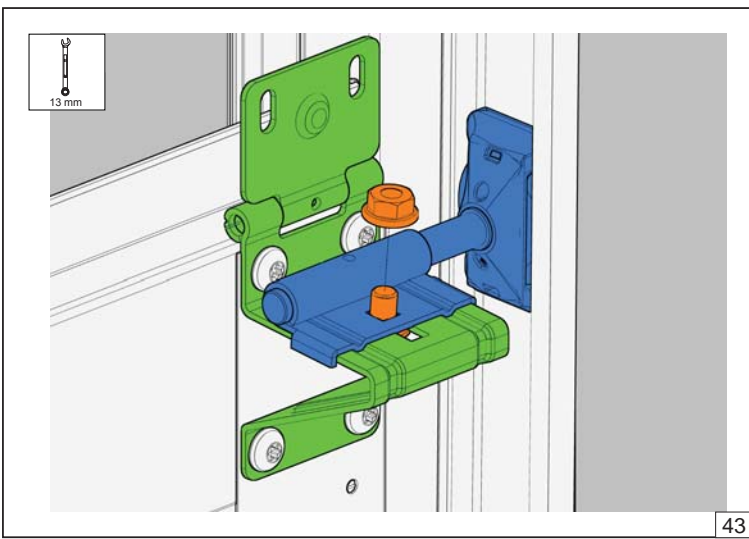
40



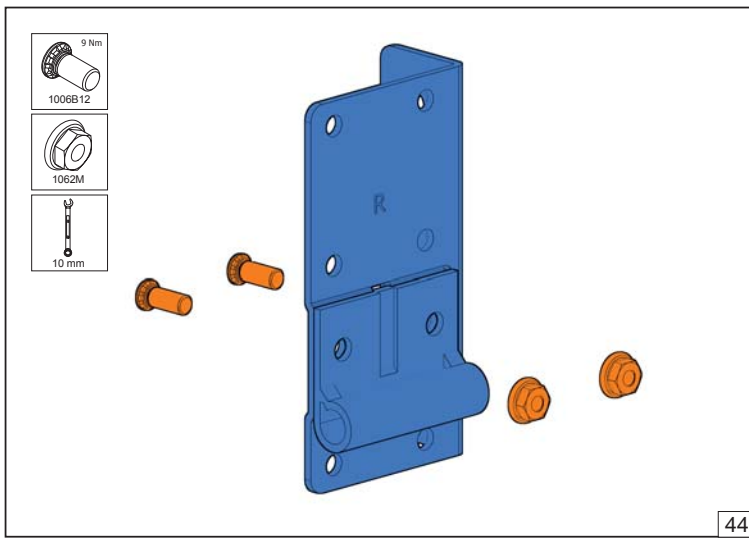
41



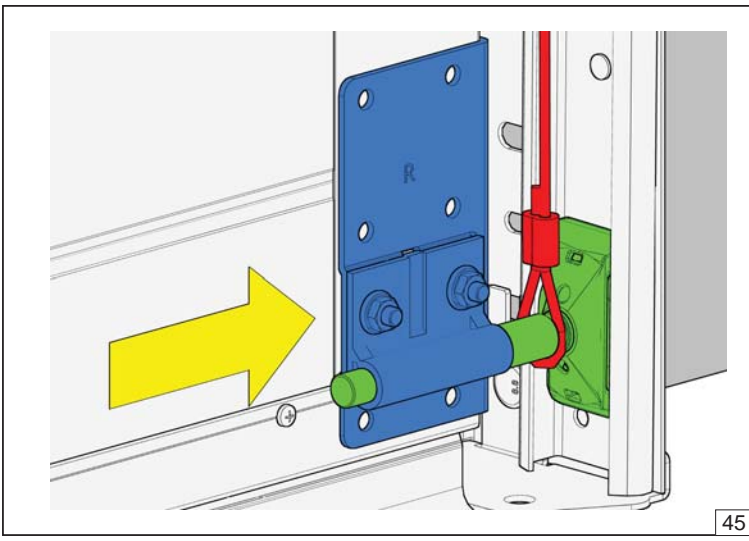
42



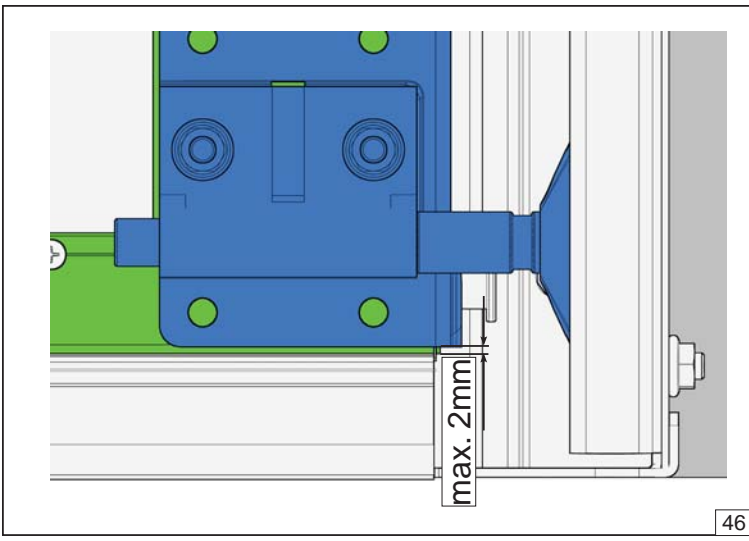
43



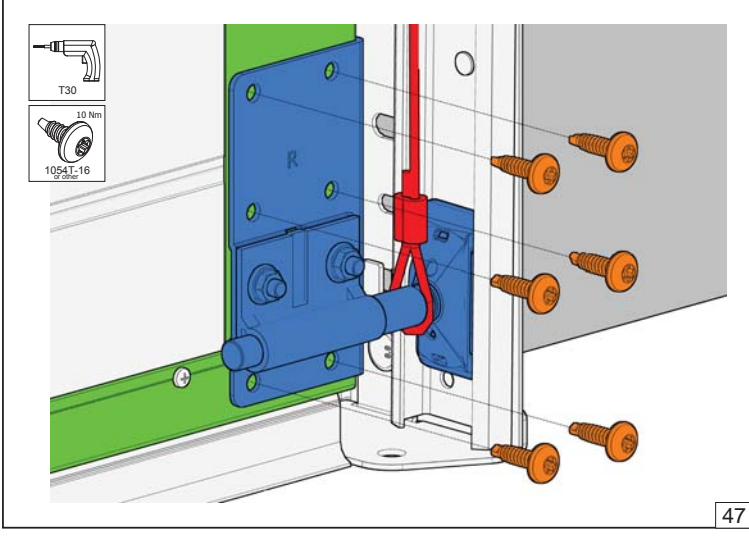
44



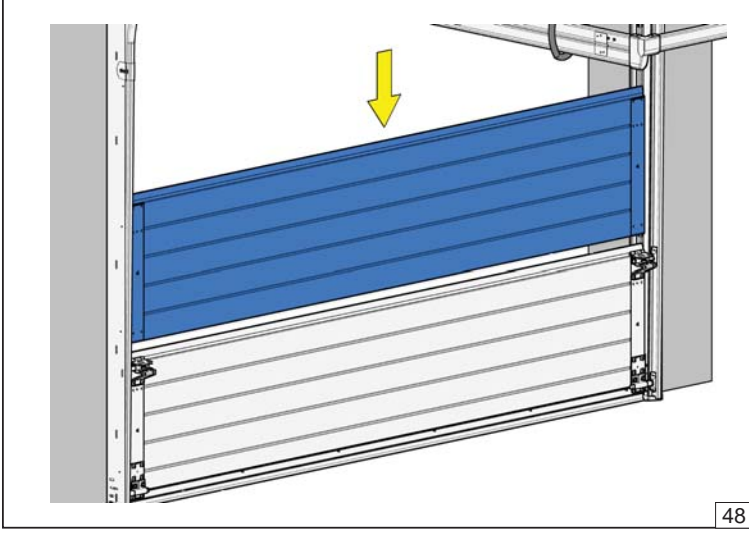
45



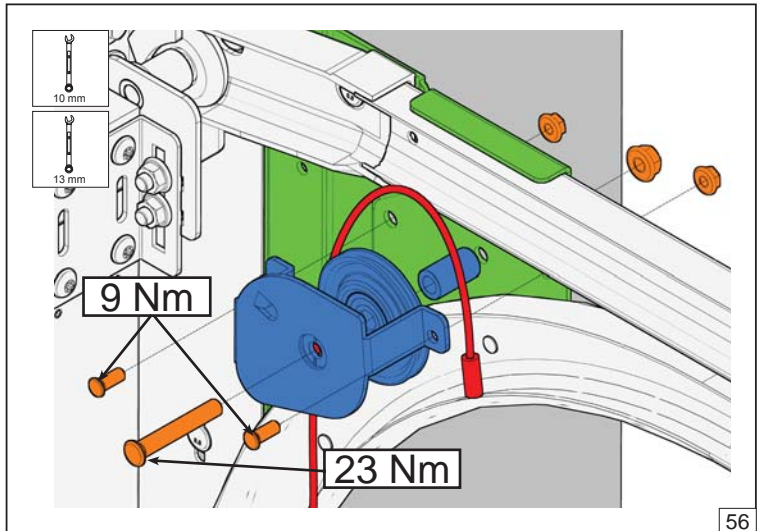
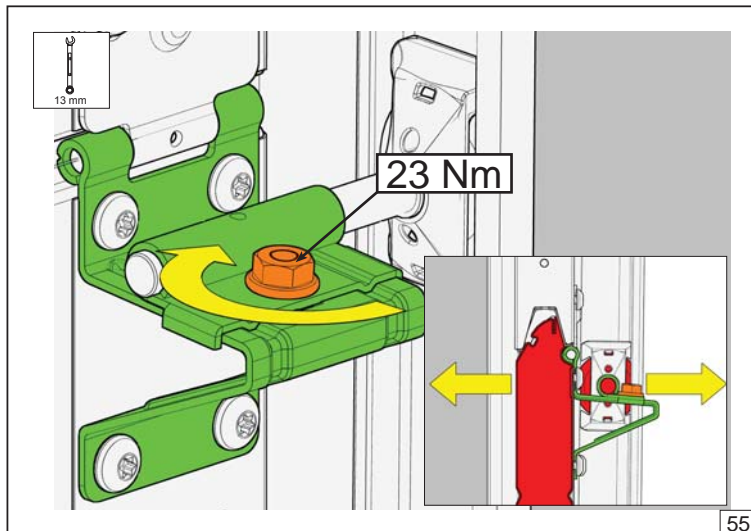
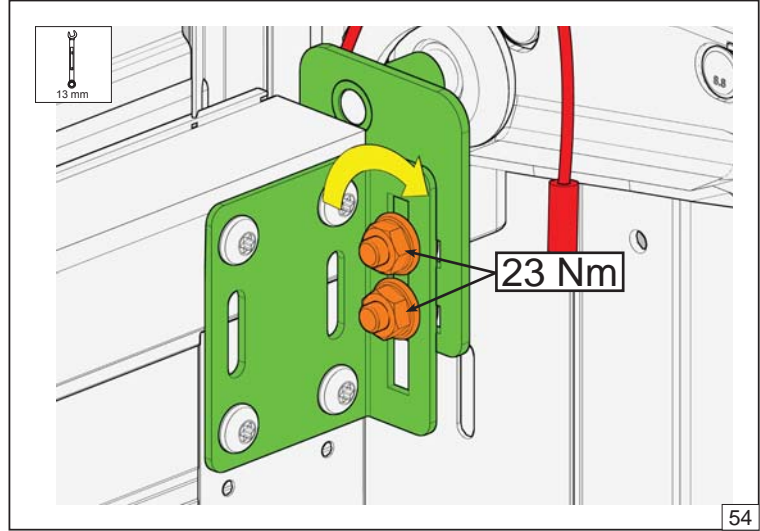
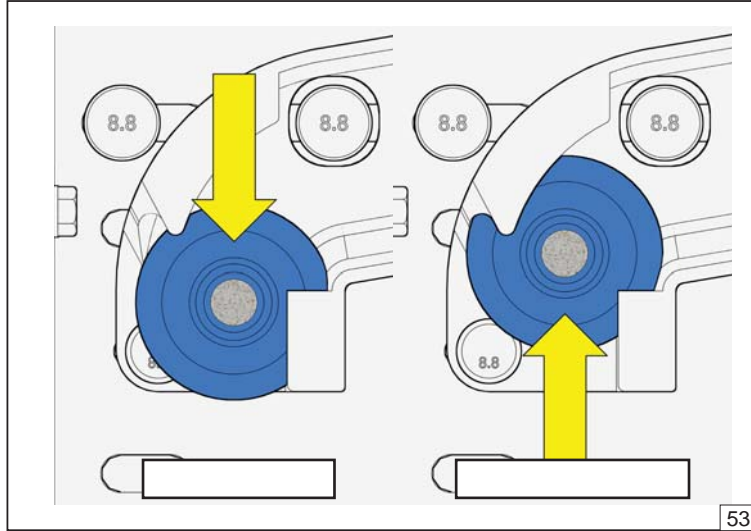
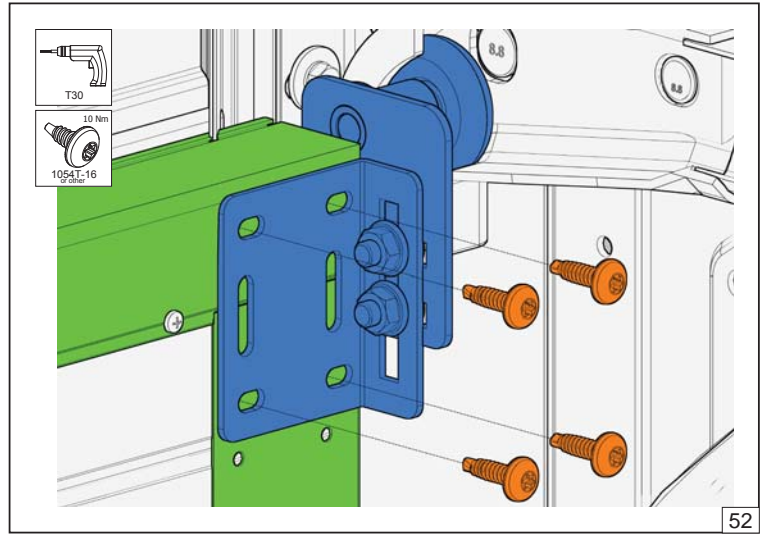
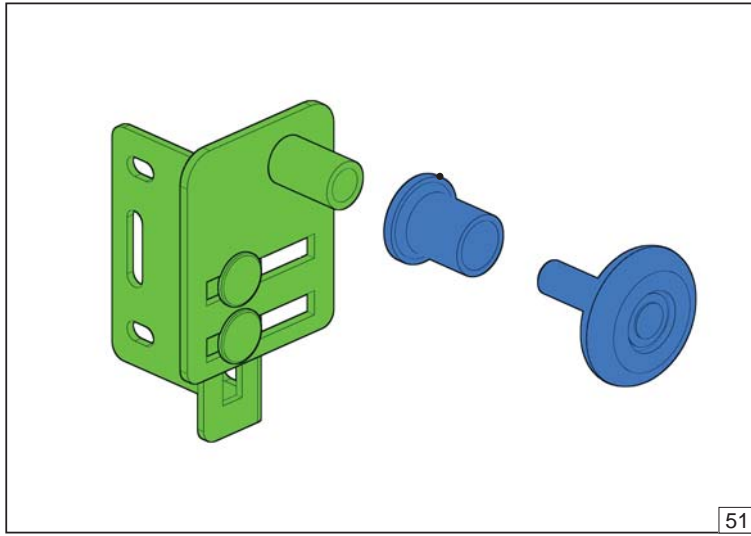
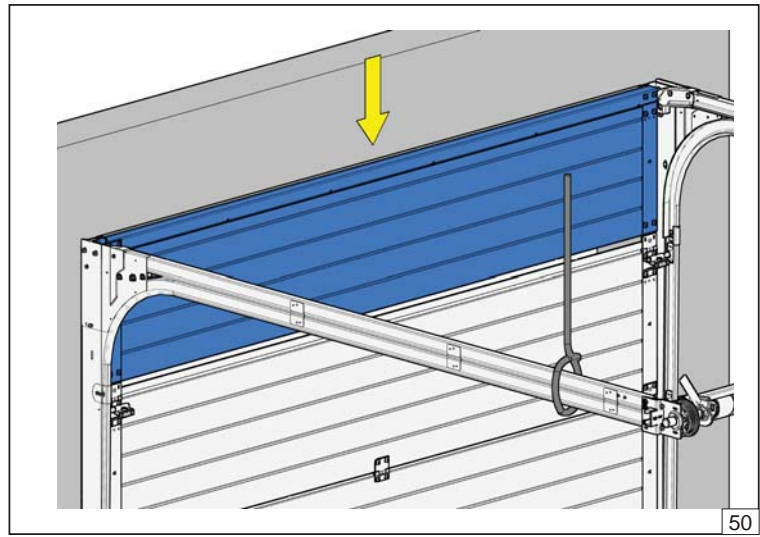
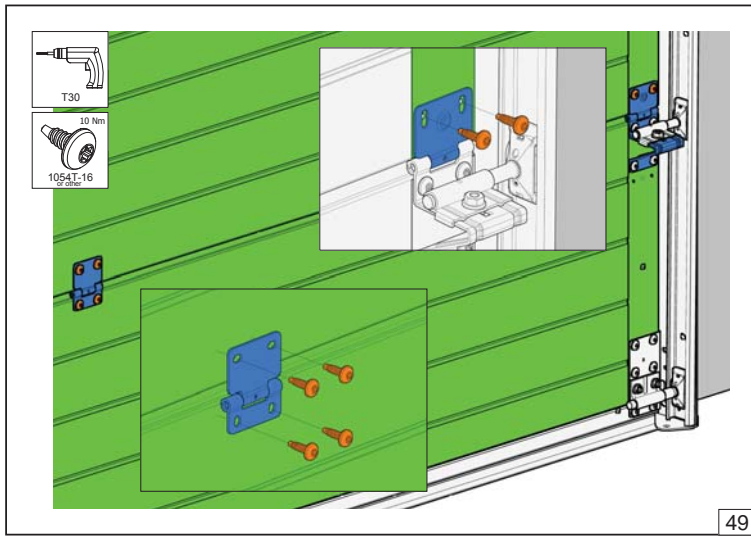
46

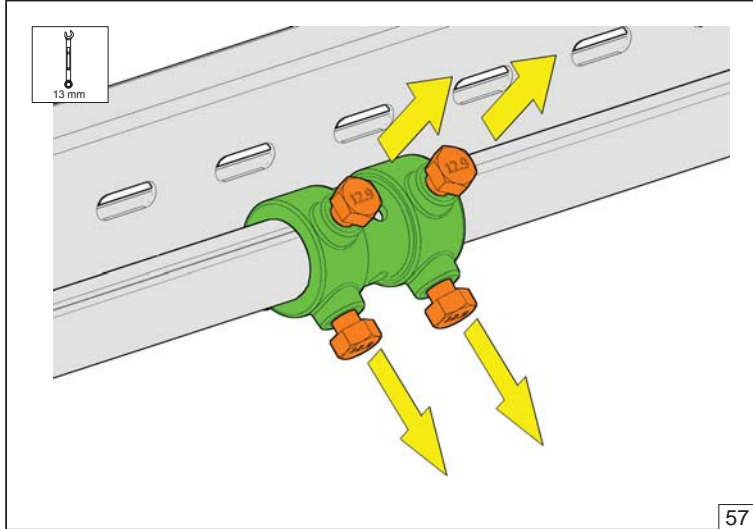


47

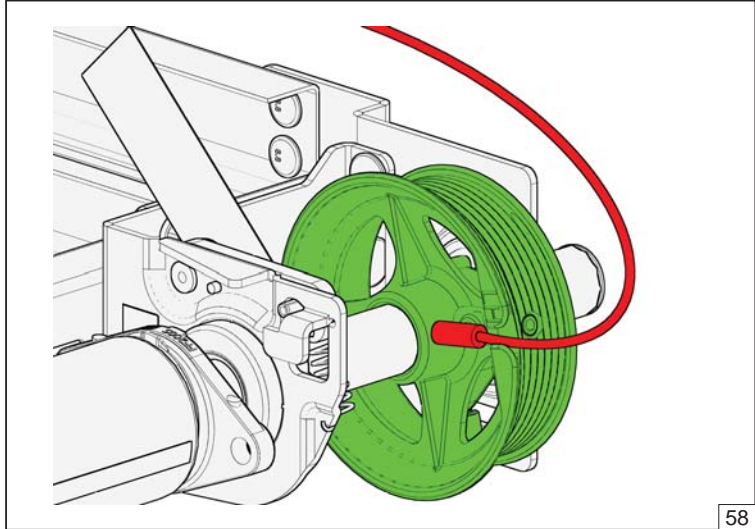


48

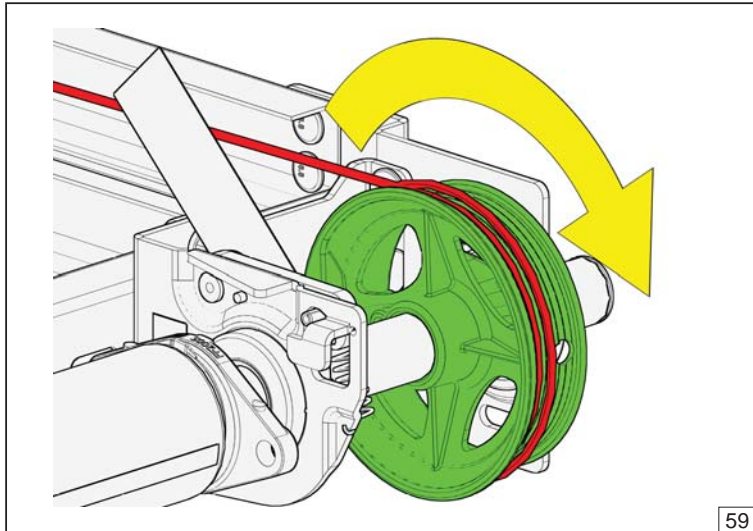




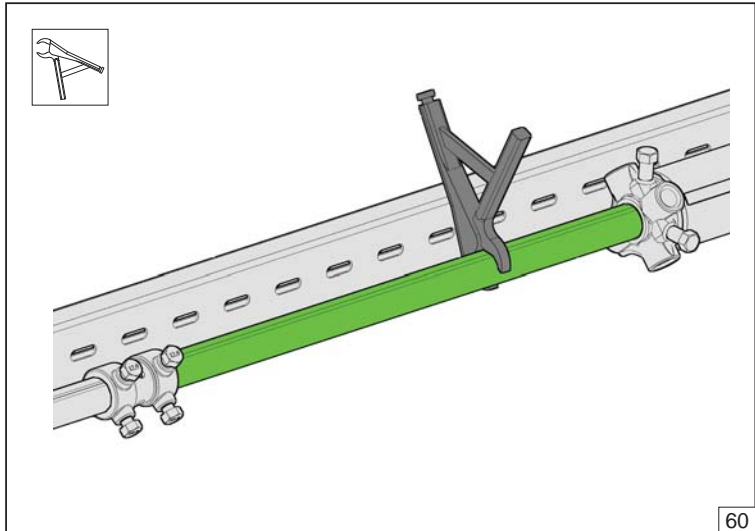
57



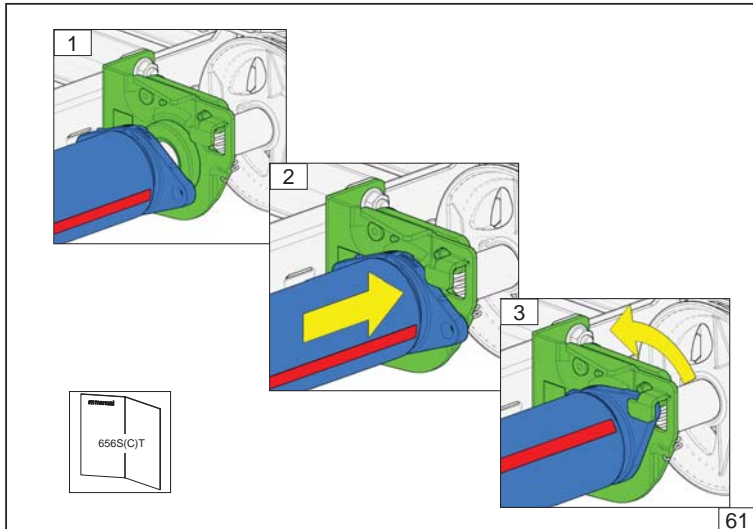
58



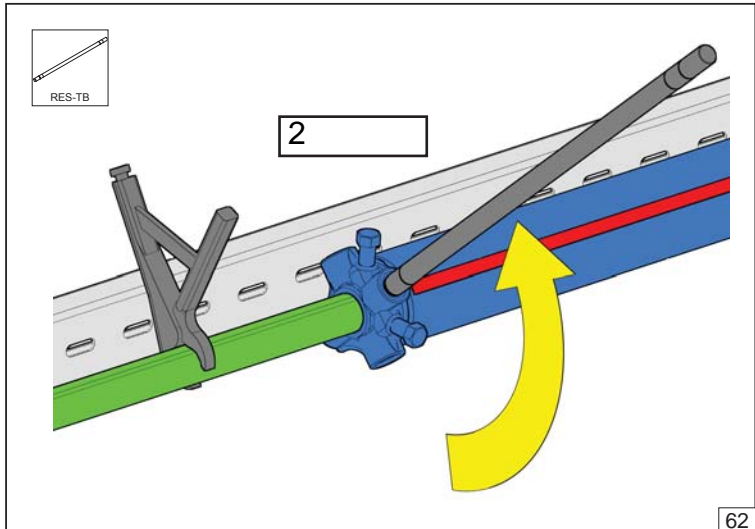
59



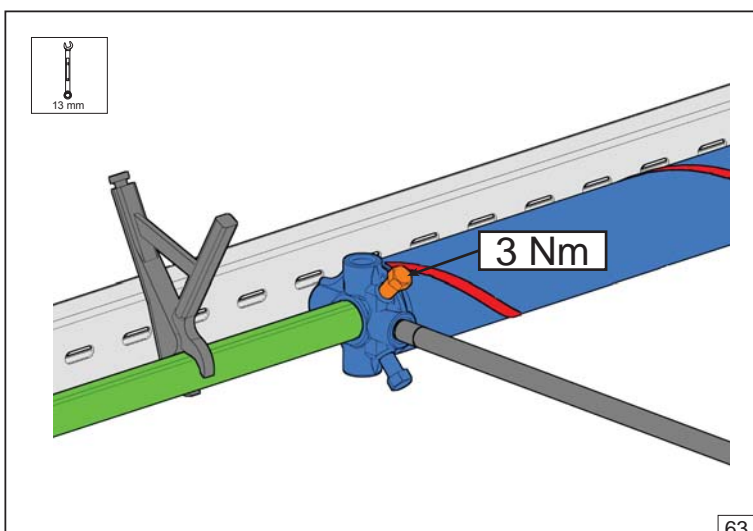
60



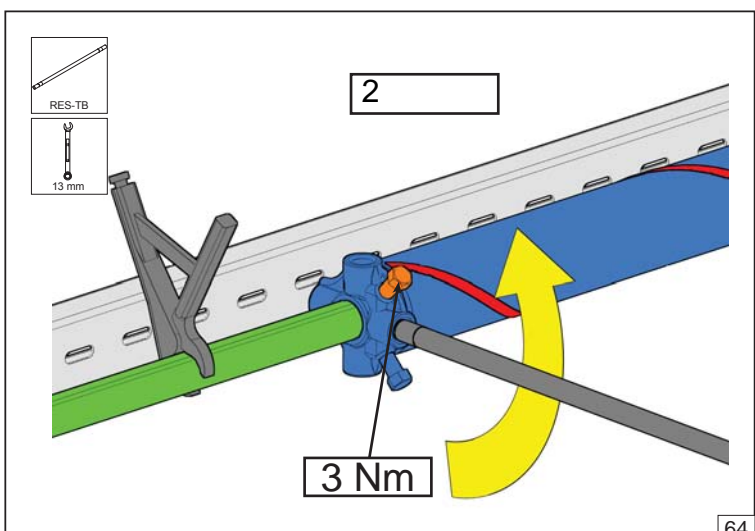
61



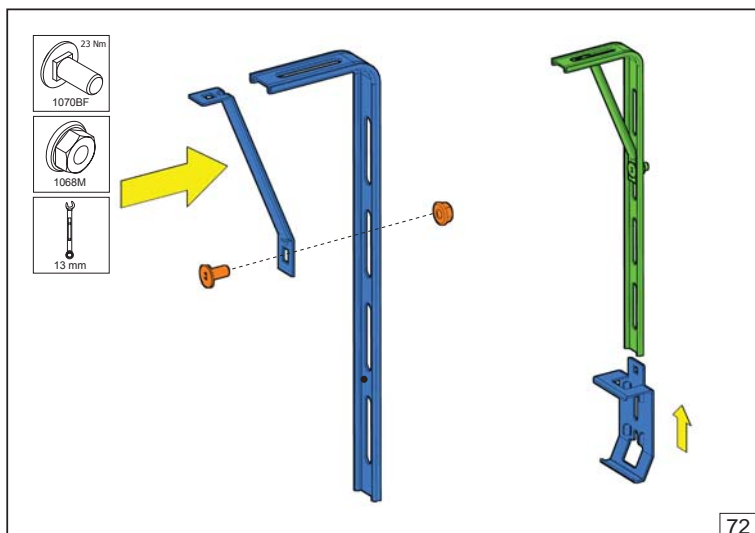
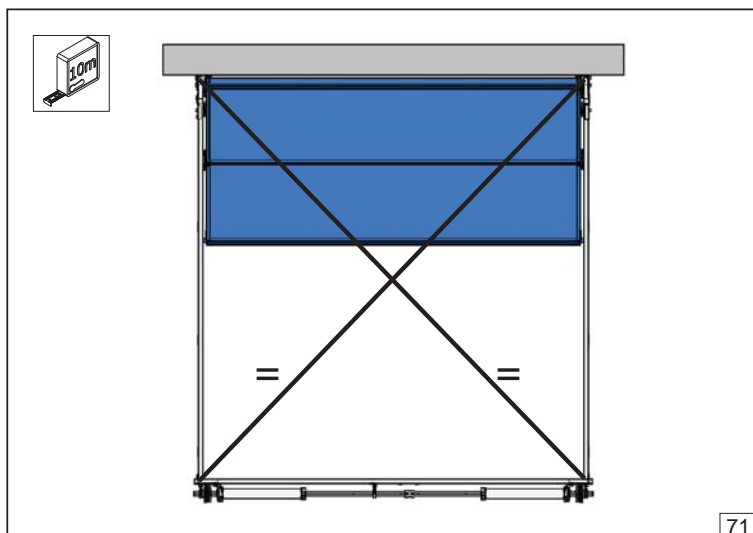
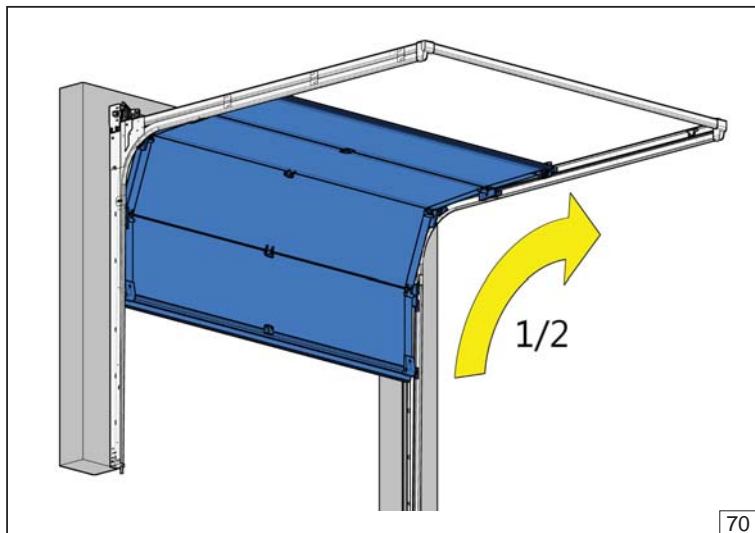
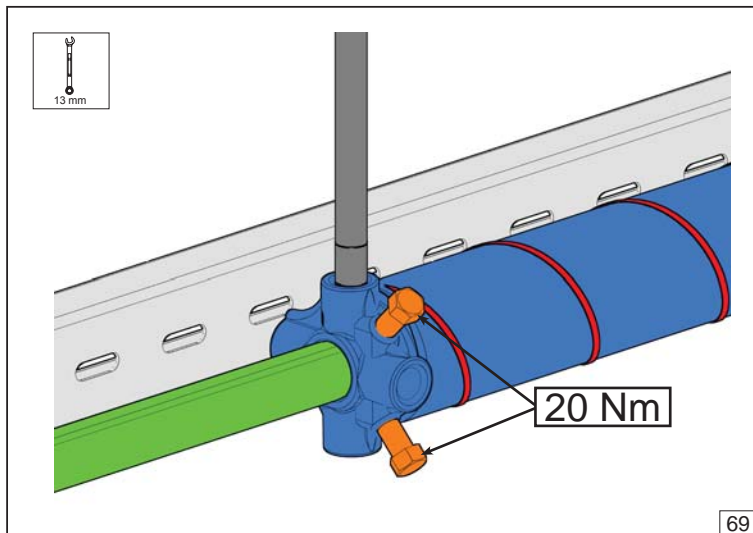
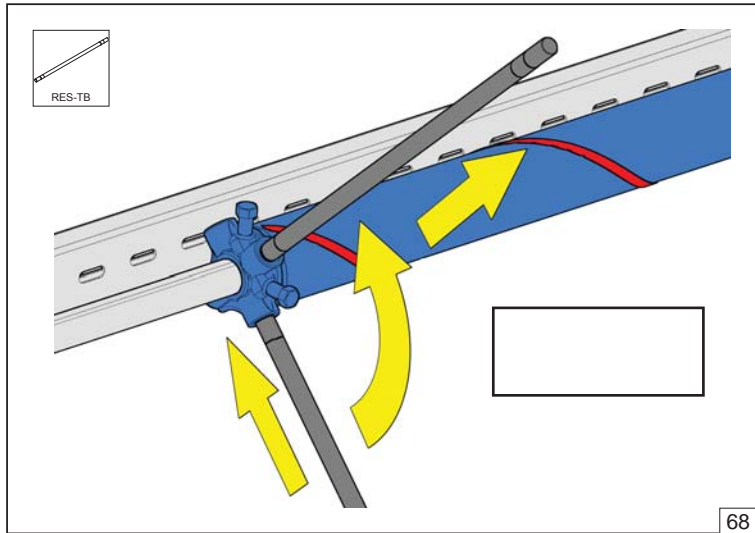
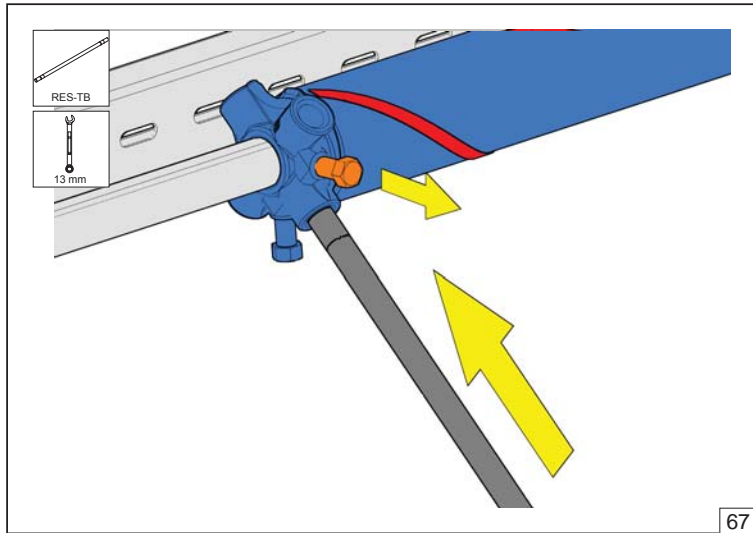
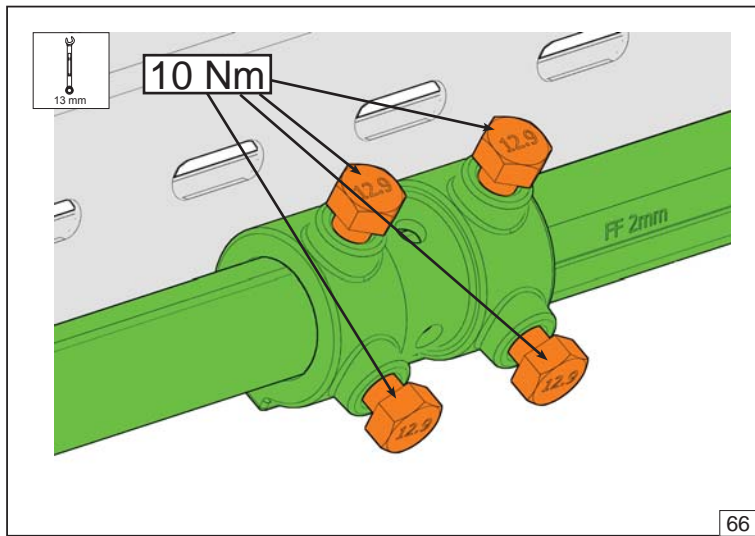
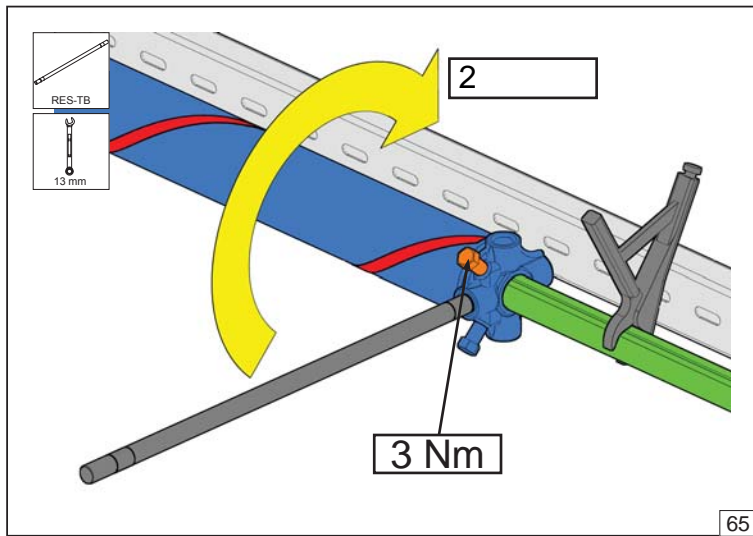
62

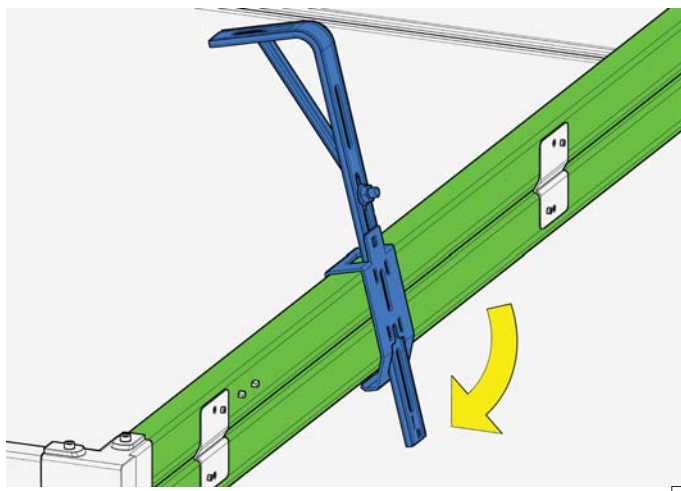


63

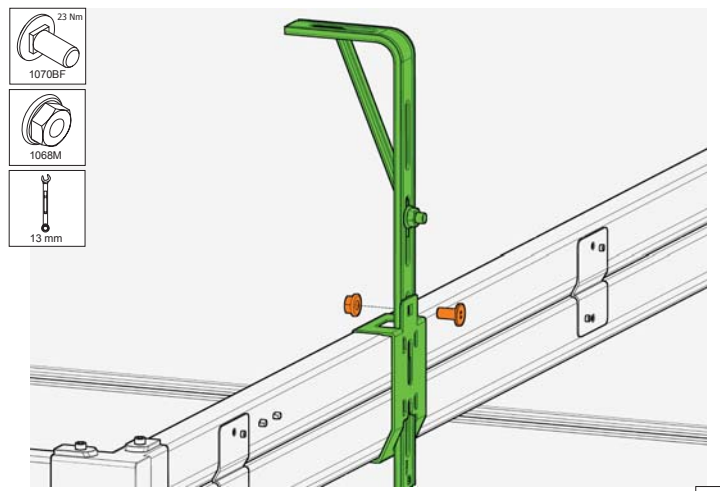


64



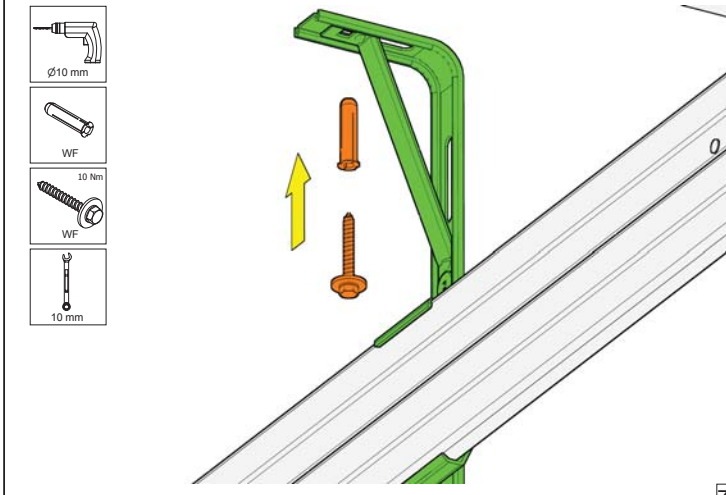


73



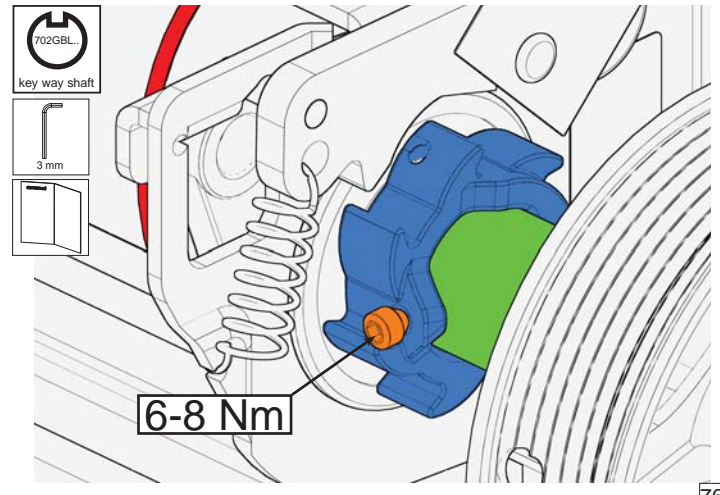
74

- 23 Nm
1070BF
- 1068M
- 13 mm



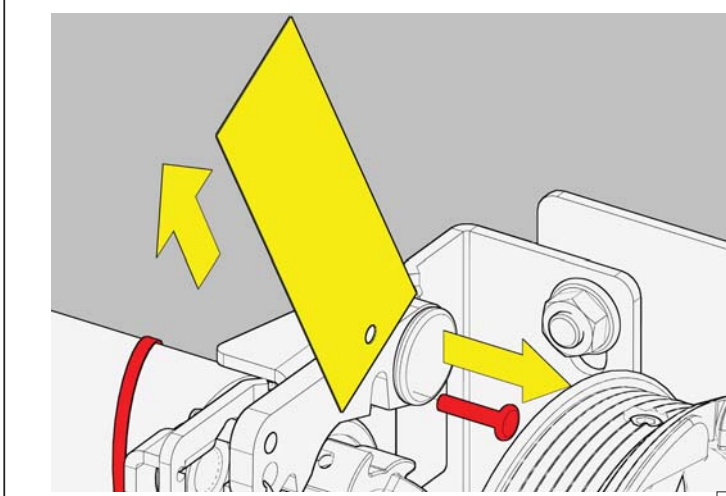
75

- $\phi 10$ mm
- WF
- 10 Nm
WF
- 10 mm

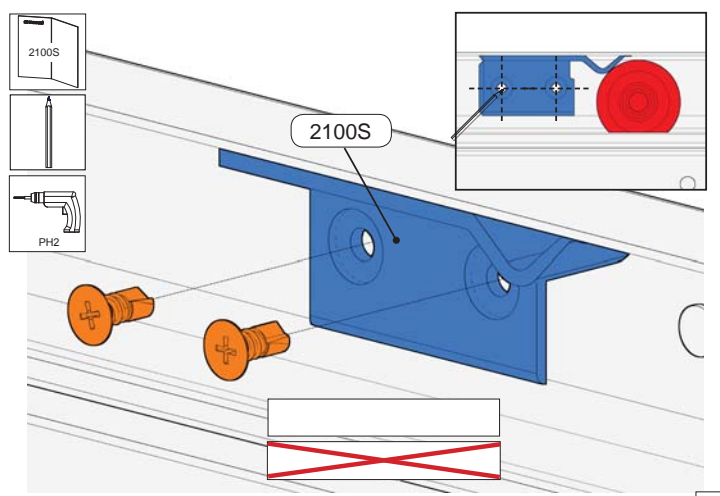


76

- 702GBL
- key way shaft
- 3 mm

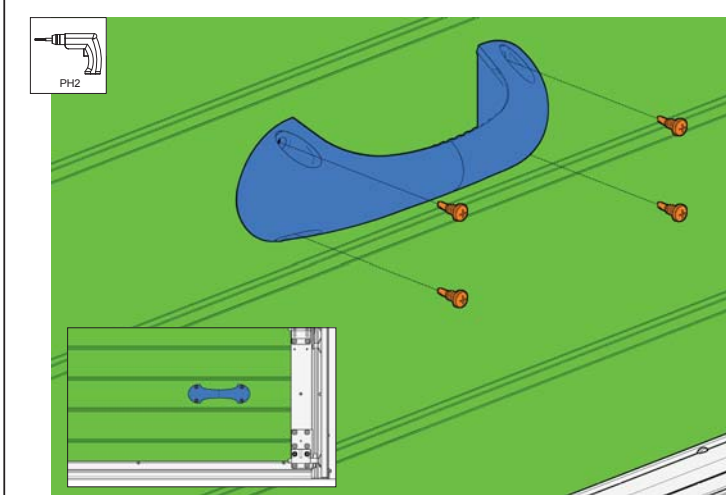


77



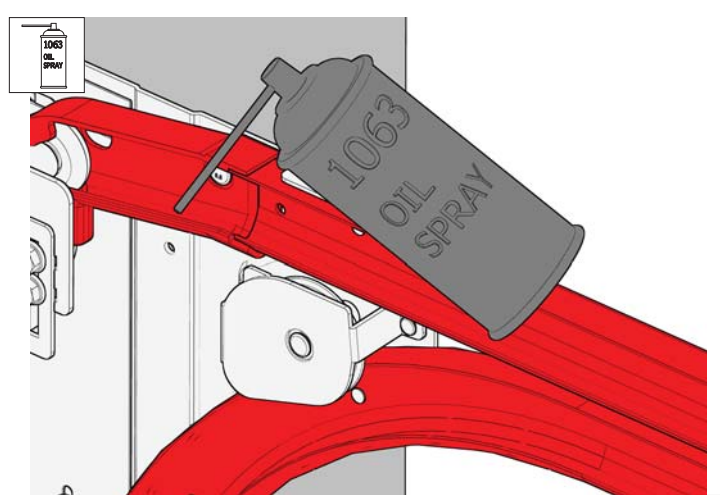
78

- 2100S
- PH2



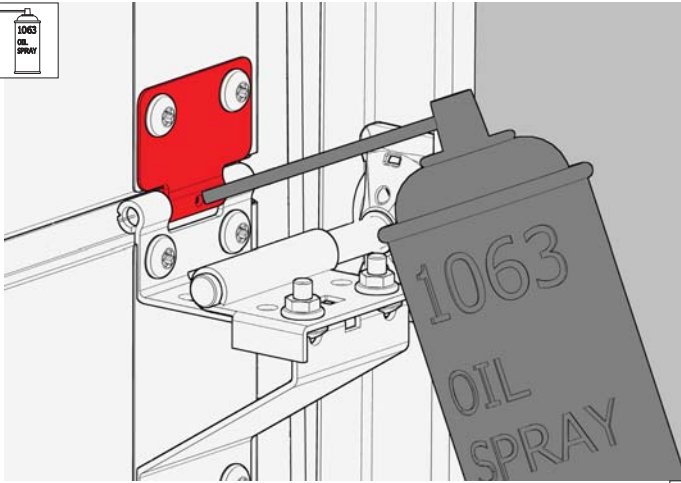
79

- PH2

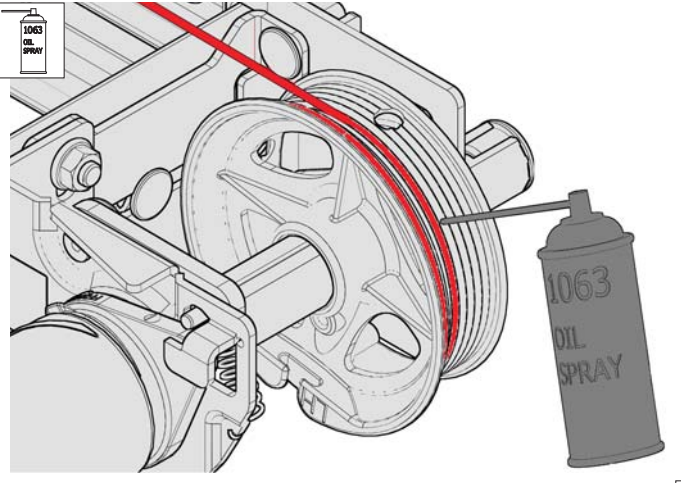


80

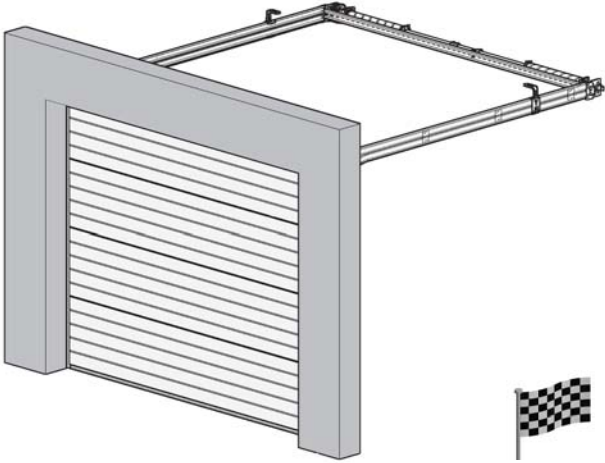
- 1063
OIL SPRAY



81



82



83

